





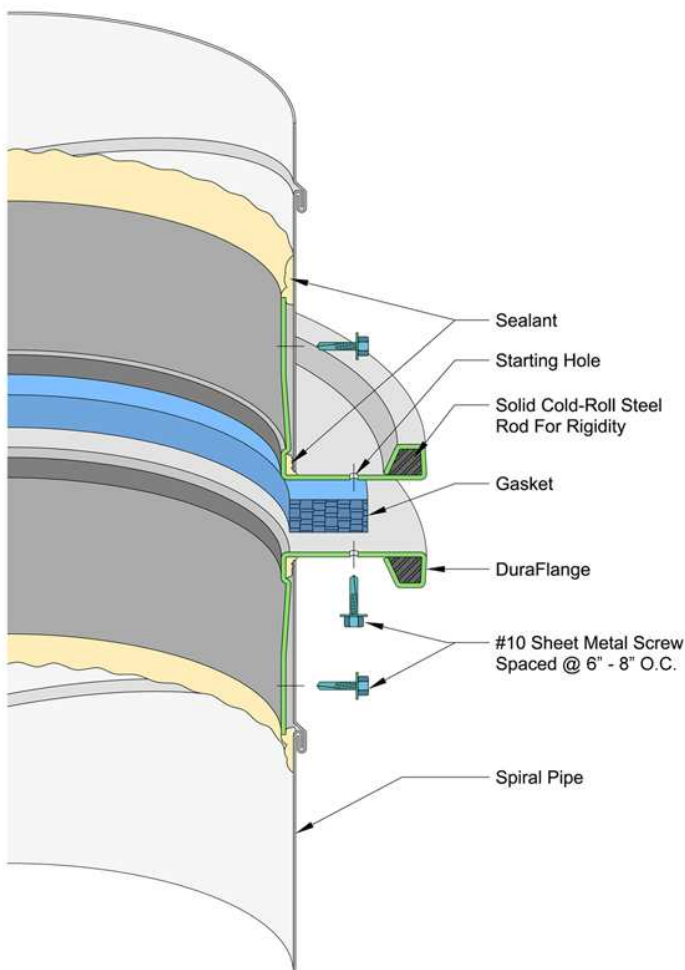
TECHNICAL DATA

The patented DuraFlange design incorporates a wire rod into the outside perimeter of the flange for additional rigidity, making it ideal for oval and large size round ductwork. SMACNA encourages the use and development of new HVAC technology and components. While SMACNA does not evaluate or endorse any proprietary products, they set guidelines and standards for products to meet. According to a study conducted by a certified structural engineer, per SMACNA 2005 Duct Construction Manual and Guidelines, the DuraFlange small profile has an Ei reinforcement rating of 43 equal to 1½ x 1½ x 3/16 reinforcement angle Iron, and the large profile has an Ei Reinforcement Rating of 90 equal to 2 x 2 x 3/16 Reinforcement Angle Iron.



Profile Type	Ei Rating	Reinforcement Angle Iron Size	SMACNA 2005 Reinforcement Rating	
			Oval	Round
Small	43	1½ x 1½ x 3/16	H	C
Large	90	2x2x3/16"	J	E

EASY INSTALLATION



DuraFlange

Designed with the end user in mind, the DuraFlange's innovative features dramatically reduce installation times. A pocket formed at the base of the DuraFlange allows for the addition of caulking material to ensure an airtight seal between the duct and the flange. The Oval DuraFlange has pre-punched holes for easy fastening and the Round DuraFlange comes with markings to make drilling and fastening easy.



DC Ring

When used in combination with round DuraFlange, the DC Ring allows a single individual to connect duct sections without the use of any additional screws or gasket material.

HFC Enterprises, a Southern California Based manufacturing company, introduced DuraFlange to the HVAC market place in 2004. HFC enterprises started by supporting the mechanical contractors and duct manufacturers in Southern California and Las Vegas and soon expanded across the nation and is also available in Canada.

HFC Enterprises is the developer of the DuraFlange Duct Connection System, an efficient, rigid, and lightweight oval and round duct connector and closure ring designed to minimize installation times and maximize the efficiency of an HVAC system. The rigid design of our duct connector reinforces even the lightest gauge spiral pipe increasing the structural integrity of the duct section, and making it easy to handle and install.

The patented DuraFlange design incorporates a wire rod into the outside perimeter of the flange for additional rigidity, making it ideal for oval and large size round ductwork. The flange can be constructed using a variety of 18 and 20-gauge materials including stainless steel, aluminum, and paint lock. The DC ring, when used in combination with round DuraFlange rings, eliminates the need for a gasket in between the connecting flanges and creates a leak free seal.

The DuraFlange System not only provides contractors with a quick and easy way to connect and install ductwork, but it provides energy conscious engineers and developers a leak free HVAC system. Air Balance Company, Inc. has tested the DuraFlange and their results conclusively show that, from 6" negative W.G. up to 10" positive W.G., the DuraFlange connection is leak-free and structurally sound.

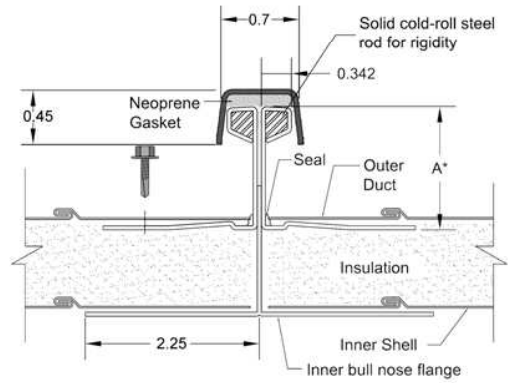
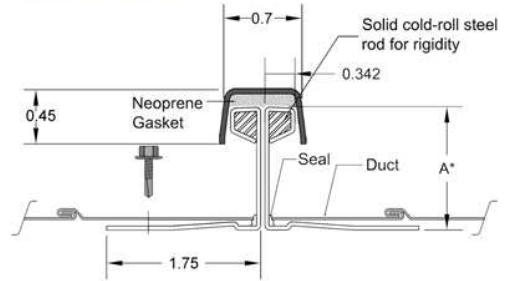
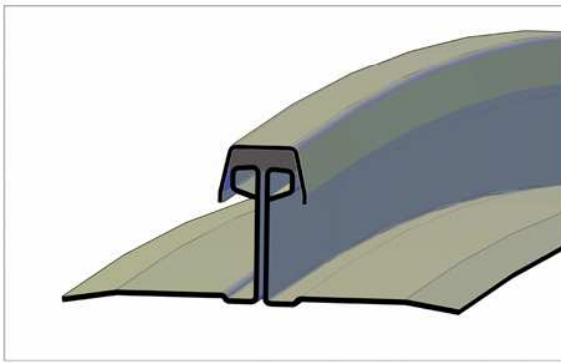
With over 20 years of industry experience, our design and production teams have produced a product that assists our clients in maximizing their efficiency. The proof of our claims can be seen in the success of the projects that have utilized our products, some of which include:

Boeing, Huntington Beach. CA
California State University of Northridge - Northridge, CA
Los Angeles International Airport - Los Angeles, CA
Metro Gold Line Subway - California
Rancho Santiago College - Santa Ana, California
UC Irvine, Irvine, CA
West Hills Hospital - West Hills, California

Caesars Palace - Las Vegas, Nevada
Encore - Las Vegas, Nevada
Trump Towers - Las Vegas, Nevada
Wynn - Las Vegas, Nevada

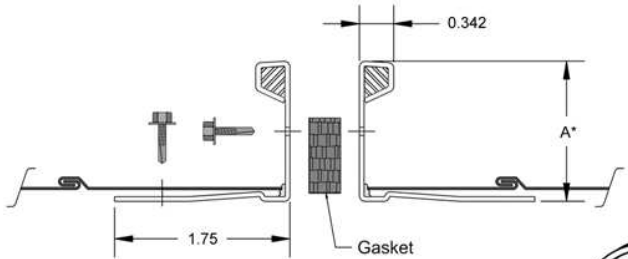
DC RING

The DC ring is a three-piece locking and connecting system, which provides an airtight seal without the use of additional gasket material or fasteners. The ring is furnished with an internal neoprene gasket, which presses against the perimeter of the flange when the ring is tightened, sealing the joint. The DC Ring is constructed of 18 GA material (Aluminum, Stainless Steel, Galvanized, Paint Lok, and PVS Coated), and is available in both single and double-wall applications.

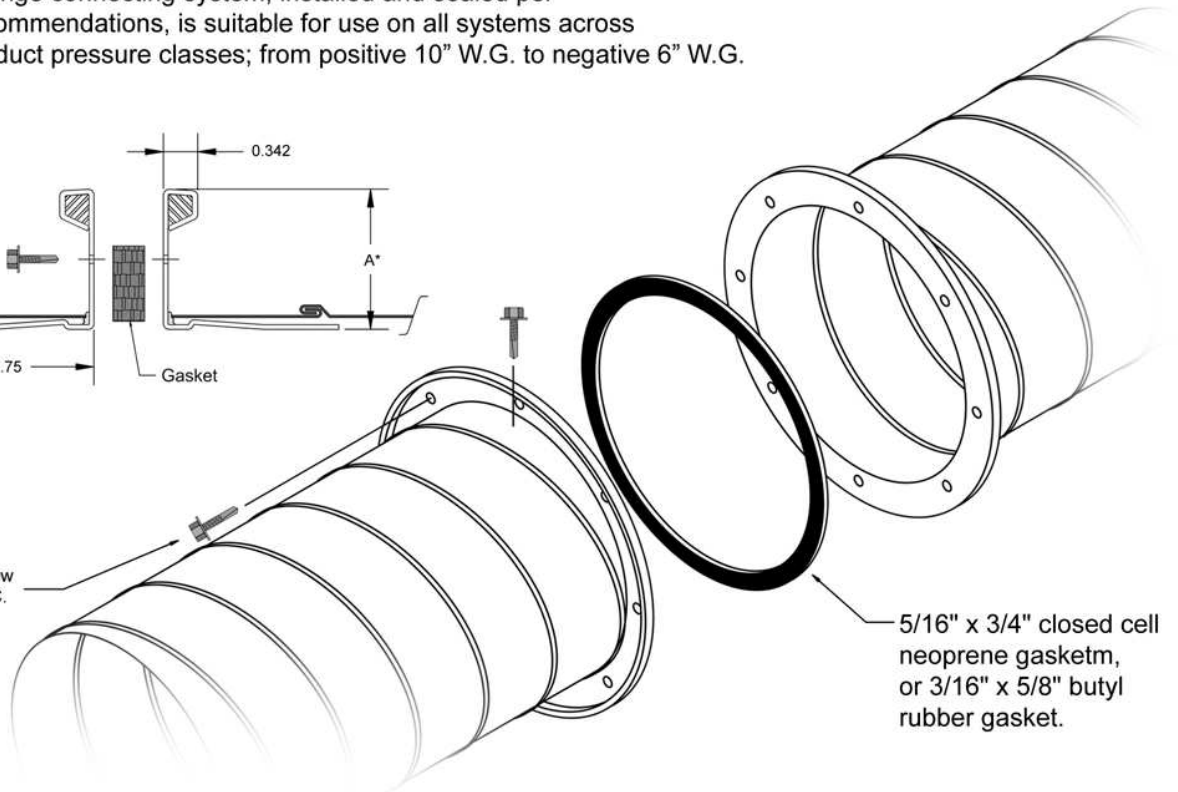


DuraFlange - SINGLE WALL

The use of DuraFlange connecting system, installed and sealed per manufacturer's recommendations, is suitable for use on all systems across a range of internal duct pressure classes; from positive 10" W.G. to negative 6" W.G.



#10 Sheet Metal Screw Spaced @ 6" - 8" O.C.

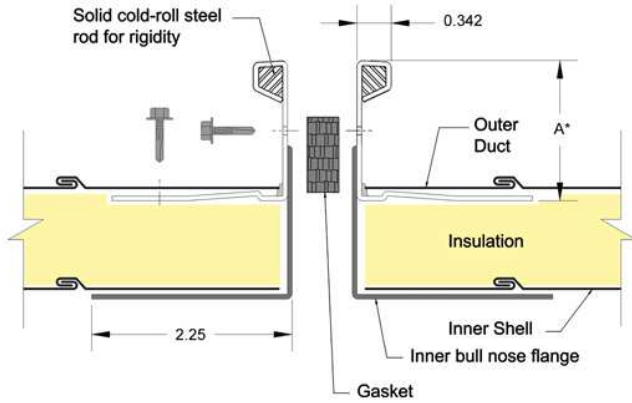


5/16" x 3/4" closed cell neoprene gasket, or 3/16" x 5/8" butyl rubber gasket.



DURAFLANGE HAS THE POTENTIAL TO REVOLUTIONIZE YOUR BUSINESS. SEE FOR YOURSELF!

DuraFlange - DOUBLE WALL



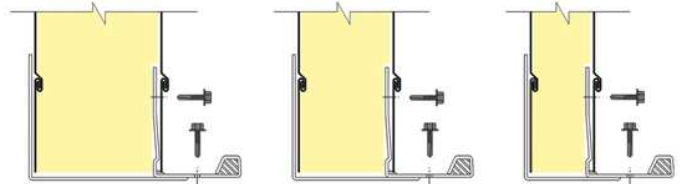
A* - Small Profile 1.0"L
 - Large Profile 1.4"L

Small Profile = 8"dia. Thru 36"dia.
 Large Profile = 26"dia. Thru 120"dia.

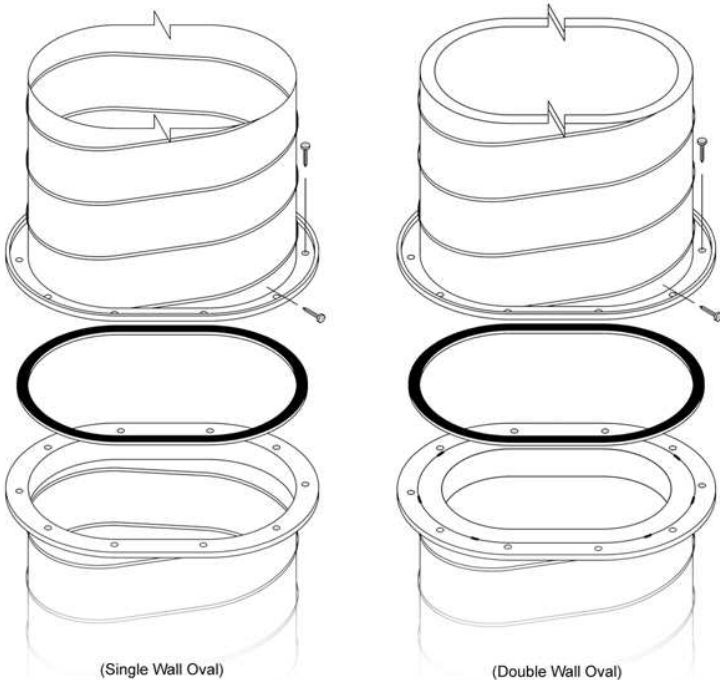
Aluminum, Paintlock, and Stainless Steel available upon request.

DuraFlange Insulation Guard is constructed of 20GA. and 22GA. Material and is available for 1", 1 1/2", and 2" Insulation.

The method of attachment for DuraFlange Insulating Guard may be either tac or spot Welding.



DuraFlange - OVAL



DuraFlange is also available in oval configurations. The rigidity of the DuraFlange connections system makes it ideal for use with oval duct work, increasing the structural integrity of the duct section reducing the amount of reinforcement needed. This saves amount of time and labor necessary to install both the flange and the duct section.

Flange constructed from 18ga material, and is available in sizes: Major Dim. : 12" - 120"



DISTRIBUTORS

ASM INDUSTRIES

CALGARY, CANADA
PHONE: (403) 279-1983
FAX: (403) 279-1982

C.H.I. MFG

ENGLEWOOD, CO
PHONE: (303) 761-3058
FAX: (303) 783-9014

CAPITAL HARDWARE SUPPLY

EAST RUTHERFORD, NJ
PHONE: (201) 954-0008
FAX: (201) 954-9030

CWCI INSULATION

CITY OF INDUSTRY, CA
PHONE: (800) 442-8464
FAX: (626) 330-7771

GRACO METALS

HOUSTON, TX
PHONE: (713) 433-3591
FAX: (713) 433-3558

HERCULES INDUSTRIES

1.800.356.5350

TEMPE, AZ
PHOENIX, AZ

DENVER, CO
COLORADO SPRINGS, CO
FORT COLLINS, CO
PUEBLO, CO
GRAND JUNCTION, CO
DURANGO, CO

ALBUQUERQUE, NM
ROSWELL, NM

SALT LAKE CITY, UT

CASPER, WY

JTD SPIRAL INC.

FORT WAYNE, IN
PHONE: (260) 497-1300
FAX: (260) 489-5798

LEWIS & LAMBERT

HALTOM CITY, TX
PHONE: (817) 834-7146
FAX: (817) 8340618

MASON ROAD SHEET METAL

HOUSTON, TX
PHONE: (281) 391-4160
FAX: (281) 391-4360

METRO MECHANICAL SUPPLY

TULSA, OK
PHONE: (918) 622-2288
FAX: (918) 622-7575

MR SHEET METAL

HOUSTON, TX
PHONE: (832) 250-4582

NORTHEASTERN SHEET METAL INC.

GOFFSTOWN, NH
PHONE: (603) 4974166
FAX: (603) 497-8518

ORECO DUCT SYSTEMS

BALDWIN PARK, CA
PHONE: (626) 337-8832
FAX: (626) 962-4536

PRO-FAB SHEET METAL

CROWN POINT, IN
PHONE: (219) 791-1212
FAX: (219) 791-1313

PLENUMS PLUS LLC

CHULA VISTA, CA
PHONE: (619) 442-5515
FAX: (619) 422-5669

SHADE TREE MFG. LLC

WYOMING, MI
PHONE: (616) 791-9189
FAX: (616) 7919152

THUR CO INC.

BROWNSVILLE, TX
PHONE: (956) 982-4424
FAX: (956) 546-5822



DuraFlange © 2010 is made by HFC Enterprises.



COVINA, CA

TEL. 626.337.2012

FAX. 626.962.4536

MAILING ADDRESS: P.O. Box 1460,
BALDWIN PARK, CA. 91706-7460



Sheet Metal Workers'
International Association

www.hfcenterprises.com